

BONAR SNW 40 UV OR SIMILAR APPROVED TO BE INSTALLED BELOW AND ABOVE FIRESTONE EPDM GEOMEMBRANE FOLLOWING MANUFACTURER RECOMMENDATIONS ②④
 FIRESTONE EPDM GEOMEMBRANE TO BE INSTALLED 250mm (MIN) BELOW SURFACE TO BE INSTALLED FOLLOWING MANUFACTURER RECOMMENDATIONS (SEE DETAIL 12) ③

50mm SAND BLINDING ⑤

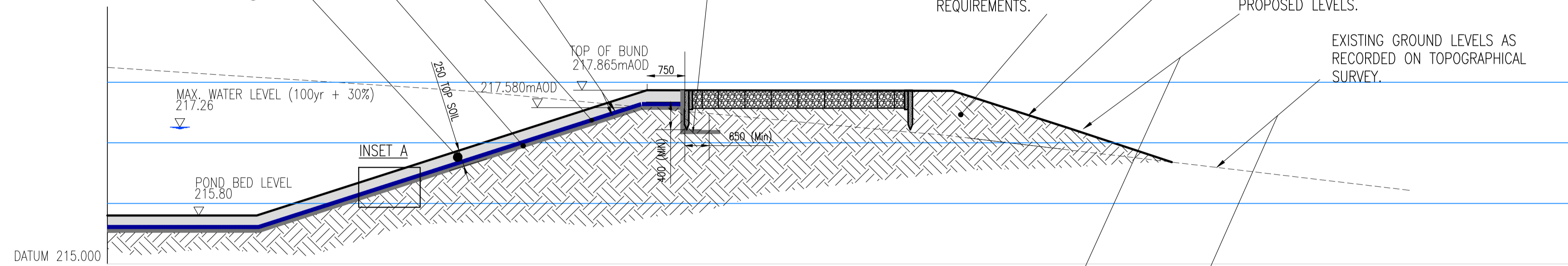
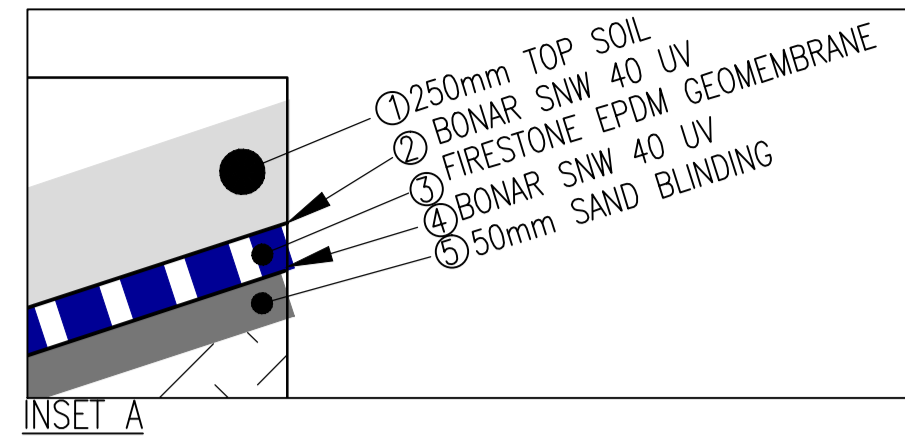
250mm TOP SOIL TO BE PLACED ON PREPARED SLOPES. SHARP AND STONE MATERIAL TO BE REMOVED WHEN FORMATION BEING PREPARED AND ROLLED. ①

FIRESTONE EPDM GEOMEMBRANE TO BE ANCHORED UNDER TIMBER EDGING AND MAINTENANCE ACCESS FORMATION (DETAIL 13).

REFER TO HYDROCK DETAILS FOR SPECIFICATIONS OF EARTHWORK FILL MATERIAL & COMPACTION REQUIREMENTS.

DETAILS OF LANDSCAPE, TOPSOIL AND SEEDING TO BE CONFIRMED BY OTHERS.

REFER TO:
 -DETAIL 5 FOR SPILLWAY DETAILS,
 -DETAIL 12 FOR FIRESTONE EPDM GEOMEMBRANE DETAILS,
 -DETAIL 11 FOR TIMBER EDGING DETAILS,
 -DETAIL 13 FOR MAINTENANCE ACCESS (CONSTRUCTION ON TOP OF EMBANKMENT)



CHAINAGE	0.000	2.500	5.000	7.500	10.000	12.500	15.000	17.500	20.000	21.481	22.500	24.149
EXISTING LEVELS (PRECONSTRUCTION)	218.246	218.082	217.918	217.713	217.478	217.244	216.985	216.689	216.392	216.217		
PROPOSED LEVELS	215.800	215.800	216.614	217.418	217.865	217.859	217.519	216.701				

DETAIL 16: CROSS SECTION BUND A-A

FIRESTONE EPDM GEOMEMBRANE TO BE INSTALLED 250mm (MIN) BELOW SURFACE TO BE INSTALLED FOLLOWING MANUFACTURER RECOMMENDATIONS (SEE DETAIL 12) ③

50mm SAND BLINDING ⑤

250mm TOP SOIL TO BE PLACED ON PREPARED SLOPES. SHARP AND STONE MATERIAL TO BE REMOVED WHEN FORMATION BEING PREPARED AND ROLLED. ①

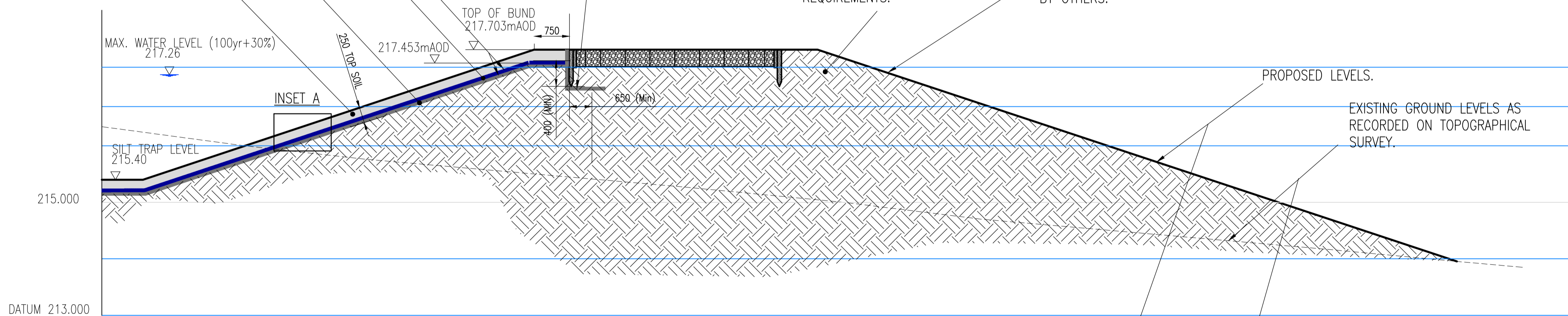
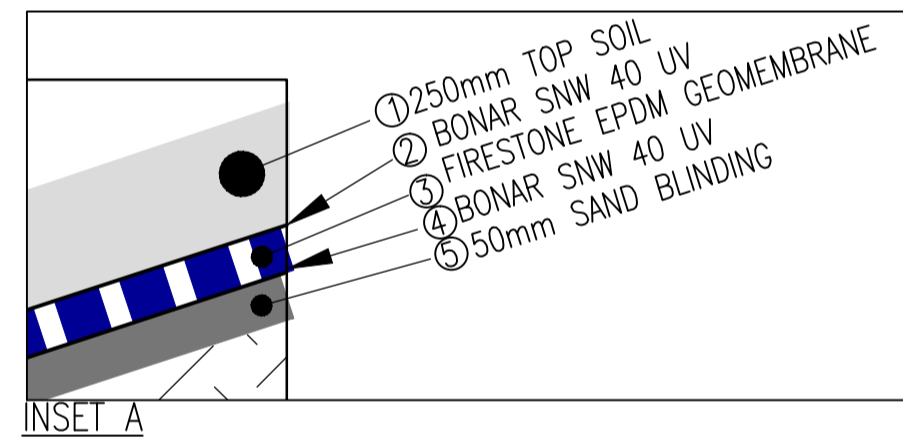
BONAR SNW 40 UV OR SIMILAR APPROVED TO BE INSTALLED BELOW AND ABOVE FIRESTONE EPDM GEOMEMBRANE FOLLOWING MANUFACTURER RECOMMENDATIONS ②④

FIRESTONE EPDM GEOMEMBRANE TO BE ANCHORED UNDER TIMBER EDGING AND MAINTENANCE ACCESS FORMATION (DETAIL 13).

REFER TO HYDROCK DETAILS FOR SPECIFICATIONS OF EARTHWORK FILL MATERIAL & COMPACTION REQUIREMENTS.

DETAILS OF LANDSCAPE, TOPSOIL AND SEEDING TO BE CONFIRMED BY OTHERS.

REFER TO:
 -DETAIL 5 FOR SPILLWAY DETAILS,
 -DETAIL 12 FOR FIRESTONE EPDM GEOMEMBRANE DETAILS,
 -DETAIL 11 FOR TIMBER EDGING DETAILS,
 -DETAIL 13 FOR MAINTENANCE ACCESS (CONSTRUCTION ON TOP OF EMBANKMENT)



CHAINAGE	0.000	2.500	5.000	7.500	10.000	12.500	15.000	17.500	20.000	21.481	22.500	26.037
EXISTING LEVELS (PRECONSTRUCTION)	216.339	216.026	215.731	215.513	215.295	215.077	214.773	214.518	214.299	214.081	213.863	213.637
PROPOSED LEVELS	215.400	215.989	216.821	217.692	217.703	217.703	216.932	216.103	215.275			

DETAIL 17: CROSS SECTION BUND B-B

- NOTES
- ALL DIMENSIONS ARE IN MILLIMETRE UNLESS STATED OTHERWISE.
 - THIS DRAWING SHOULD BE READ IN CONJUNCTION WITH ALL OTHER RELEVANT ARCHITECT & ENGINEERING DETAILS, DRAWINGS & SPECIFICATIONS.
 - FOR POND LEVELS REFER TO DRG 0412/RP/200.
 - FOR POND ARRANGEMENTS REFER TO WSP DRAWING 0412/GA/201.
 - FOR POND SETTING OUT REFER TO WSP DRAWING 0412/SO/200.
 - FOR GENERAL DRAINAGE DETAILS, REFER TO DRG 0412/GA/201 & 0412/S104/114
 - ALL WORKS IN ACCORDANCE WITH SPECIFICATIONS FOR HIGHWAY, OR AS OTHERWISE INSTRUCTED.
 - DIMENSIONS GIVEN FOR TRASH & ANTI PERSONAL SCREENS ARE INDICATIVE AND FOR BUDGET PURPOSES ONLY. THE CONTRACTOR/MANUFACTURER IS RESPONSIBLE FOR THE DESIGN OF THE SCREENS AND FABRICATION DETAILS AND ENSURING SATISFACTORY FIT WITH RESPECTIVE HEADWALLS STRUCTURES.

A	12/10/2017	JB	FIRST ISSUE	JPT	JPT	
REV	DATE	BY	DESCRIPTION	CHK	APP	
DRAWING STATUS: S2 - FOR INFORMATION						
<p>Mountbatten House, Basing View, Basingstoke, RG21 4HJ, UK T+ 44 (0) 1256 318 800, F+ 44 (0) 1256 318 700 wsp.com</p>						
CLIENT: LINDEN HOMES / BOVIS HOMES						
ARCHITECT: IDP						
SITE/PROJECT: UPPER RISSINGTON CONSORTIUM ONSITE WORKS						
TITLE: POND DETAILS 16 & 17 SHEET 3 OF 4						
SCALE @ A1:	H 1:50 / V 1:50	CHECKED:	JDP	APPROVED:	JDP	
PROJECT NO:	50600412	DESIGNED:	JB	DATE:	October 17	
DRAWING NO:	0412-SD-202				REV:	A
© WSP UK Ltd						