

SIDE ELEVATION 1:10

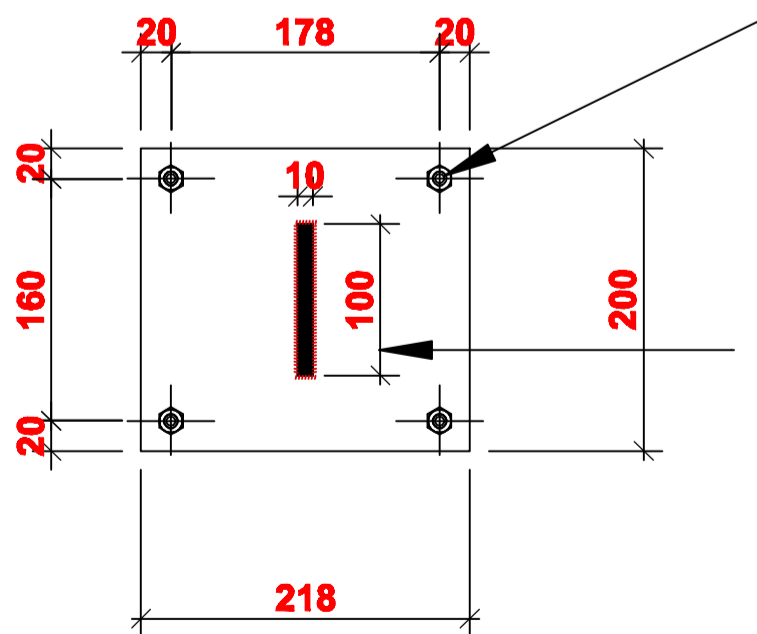
TYPICAL ELEVATIONS FROM FLAT ROOF 1:10



1:2 Jakob or similar 4mm Stainless steel rope system with stainless steel tension fixings

10 x 40mm Stainless Steel "T" top rail

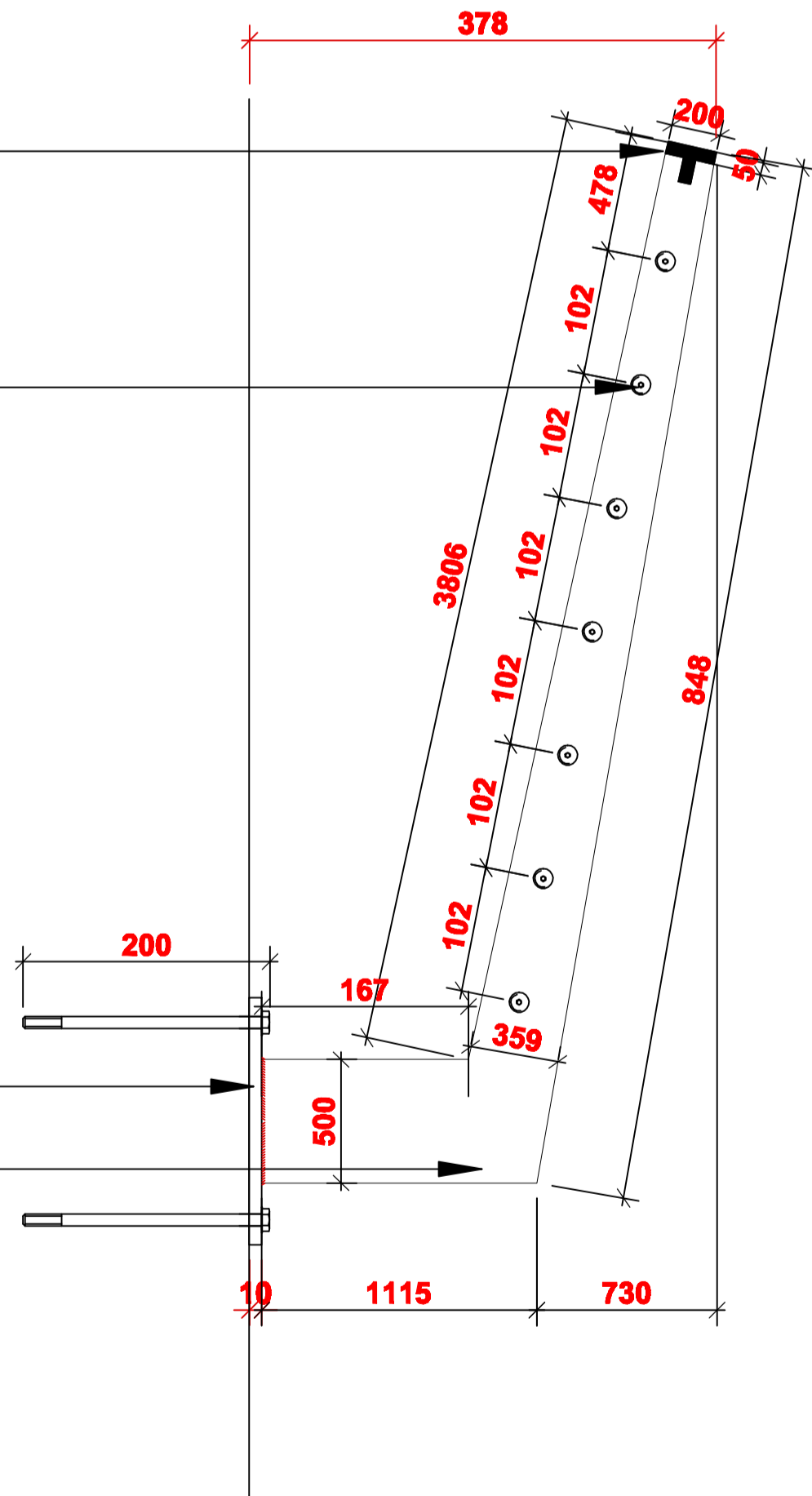
7mm dia holes to suit 4mm Stainless steel rope system with stainless steel tension fixings



Galvanised M16 Thunderbolts 200mm long - fixed through the membrane and insulation into solid brickwork and seal with Butyl Rubber sealant (Mastic) - around the bolts and to the back of the plate.

10mm Stainless Steel Plate 200 x 218mm with 4No. 16mm dia. holes.

10mm Stainless steel plate cut to balustrade post profile



FIXING PLATE DETAIL 1:10

BALUSTRADE BRACKET PROFILE 1:10

NO.	REVISIONS



The Hours Tel: 07877028
 Registered Architect/Architectural Technologist
 10th Floor, 210-212, The Quadrant, London, E1 1BB

CLIENT: TRIMAC PROPERTIES LTD.

PROJECT: THE WATCHTOWER LITTLE RISSINGTON

DRAWING TITLE: FLAT ROOF PARAPET BALUSTRADE DETAILS

DRAWN	CHECKED	DATE

SCALE: 1:5 @ A2
 DRAWN: DRE
 DRAWING NUMBER: 1097-47