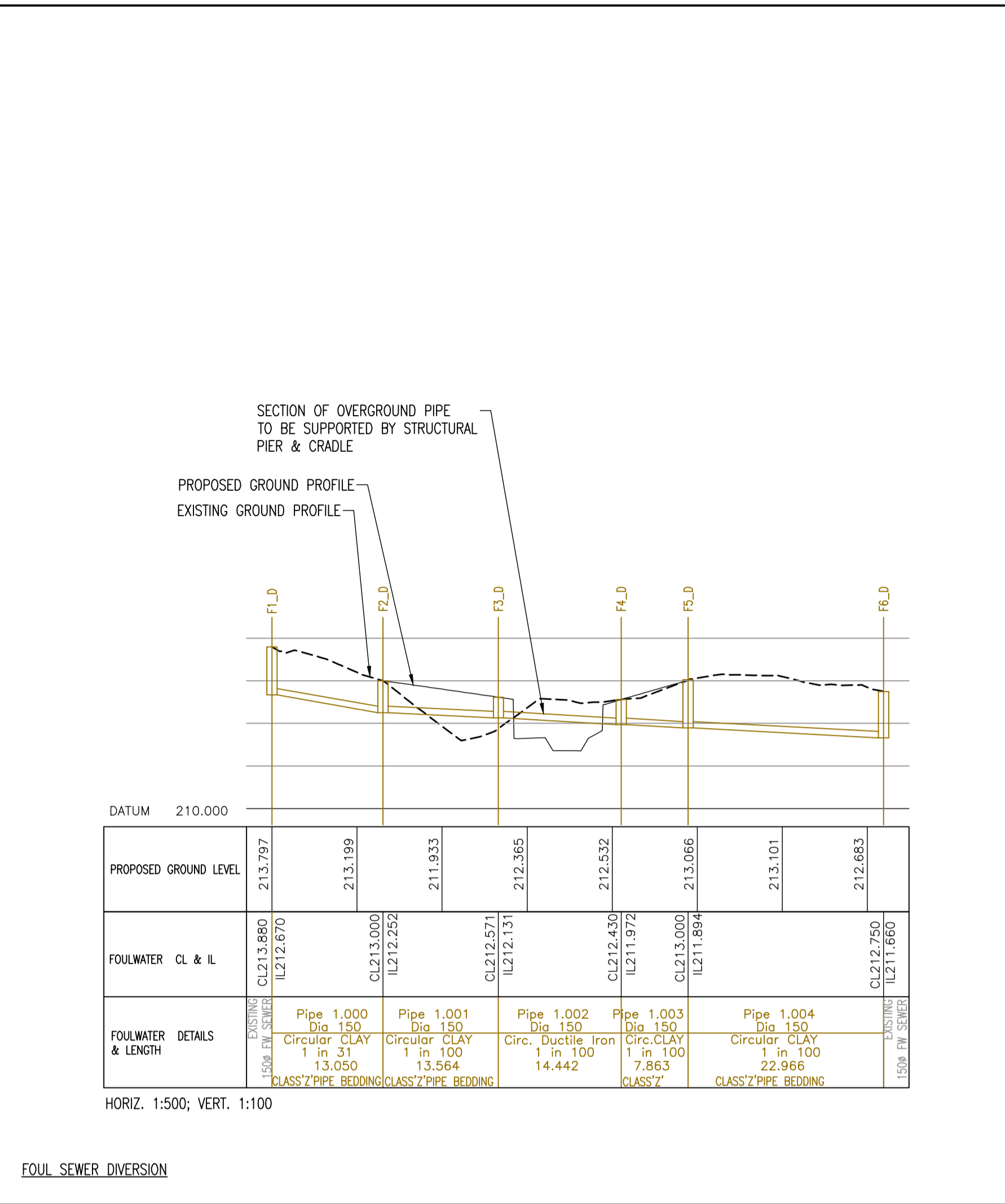
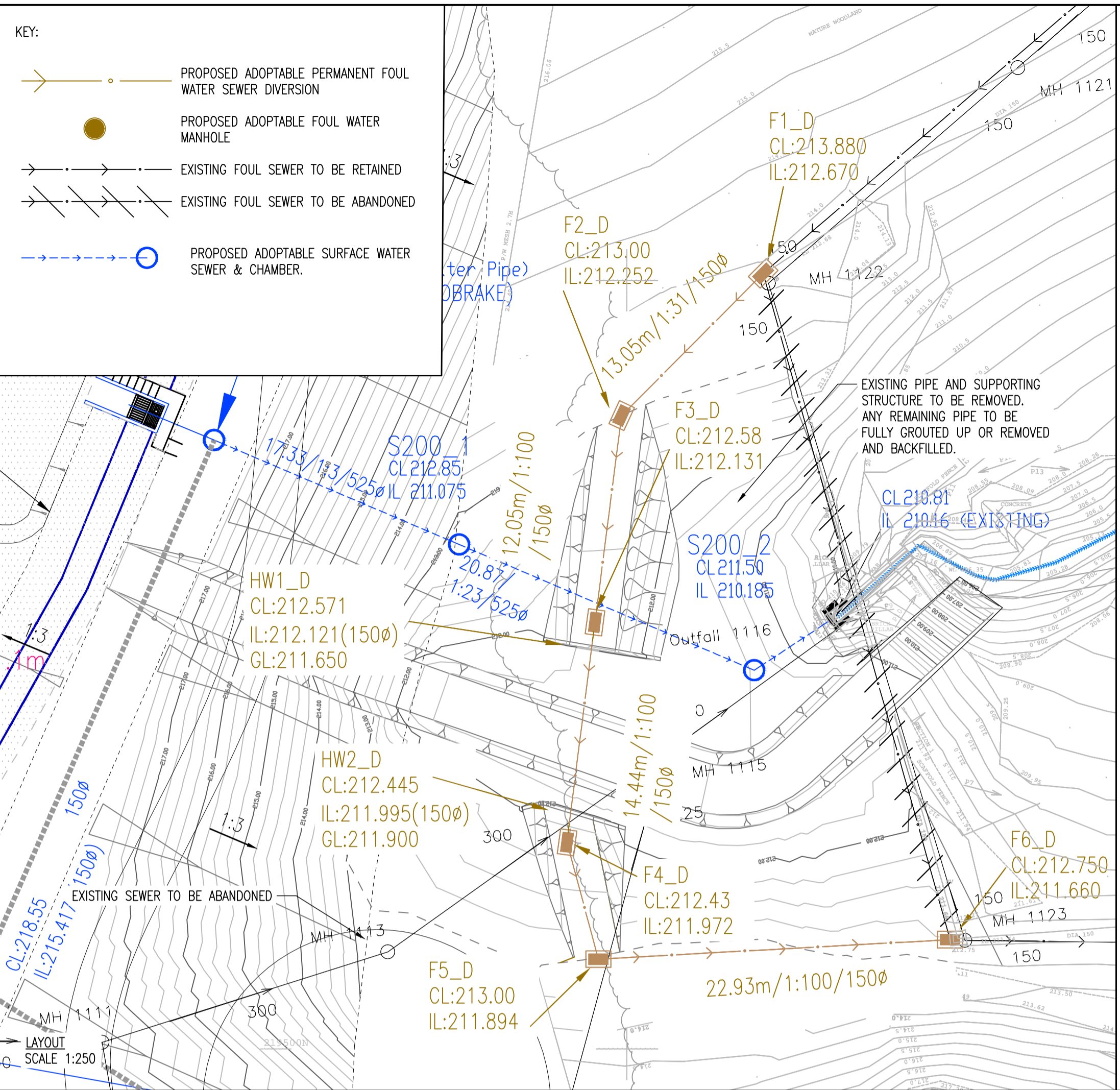
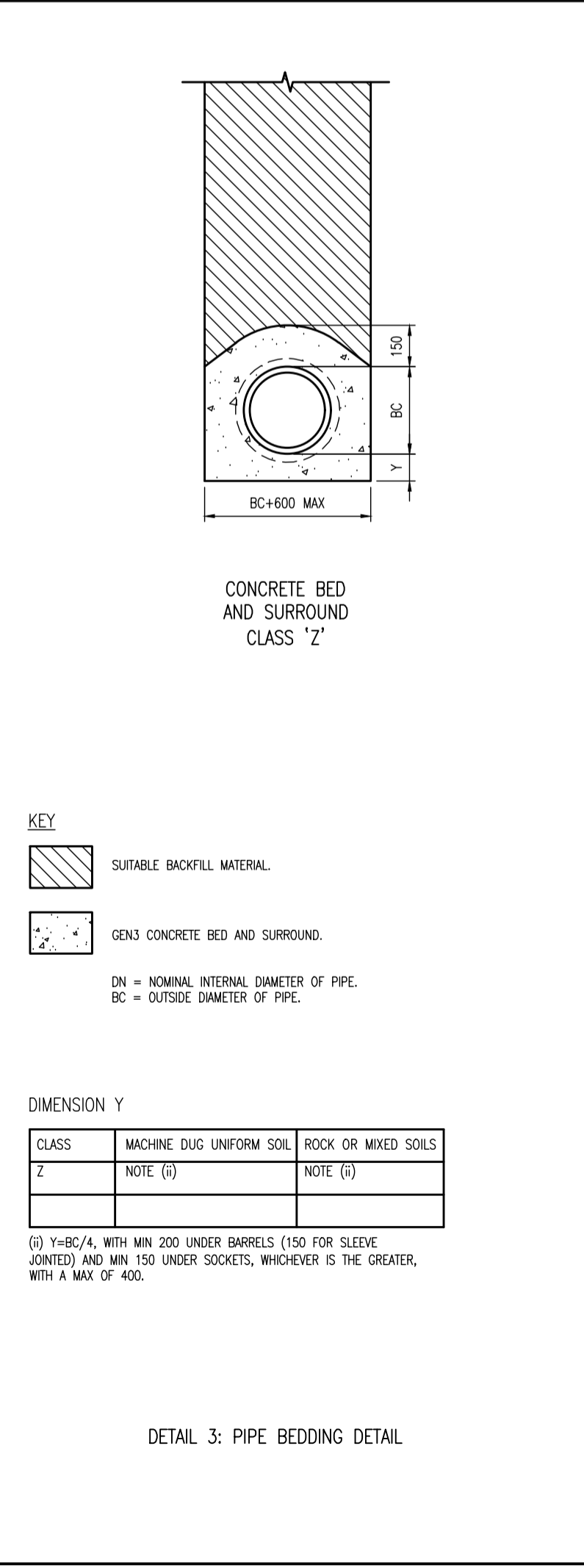
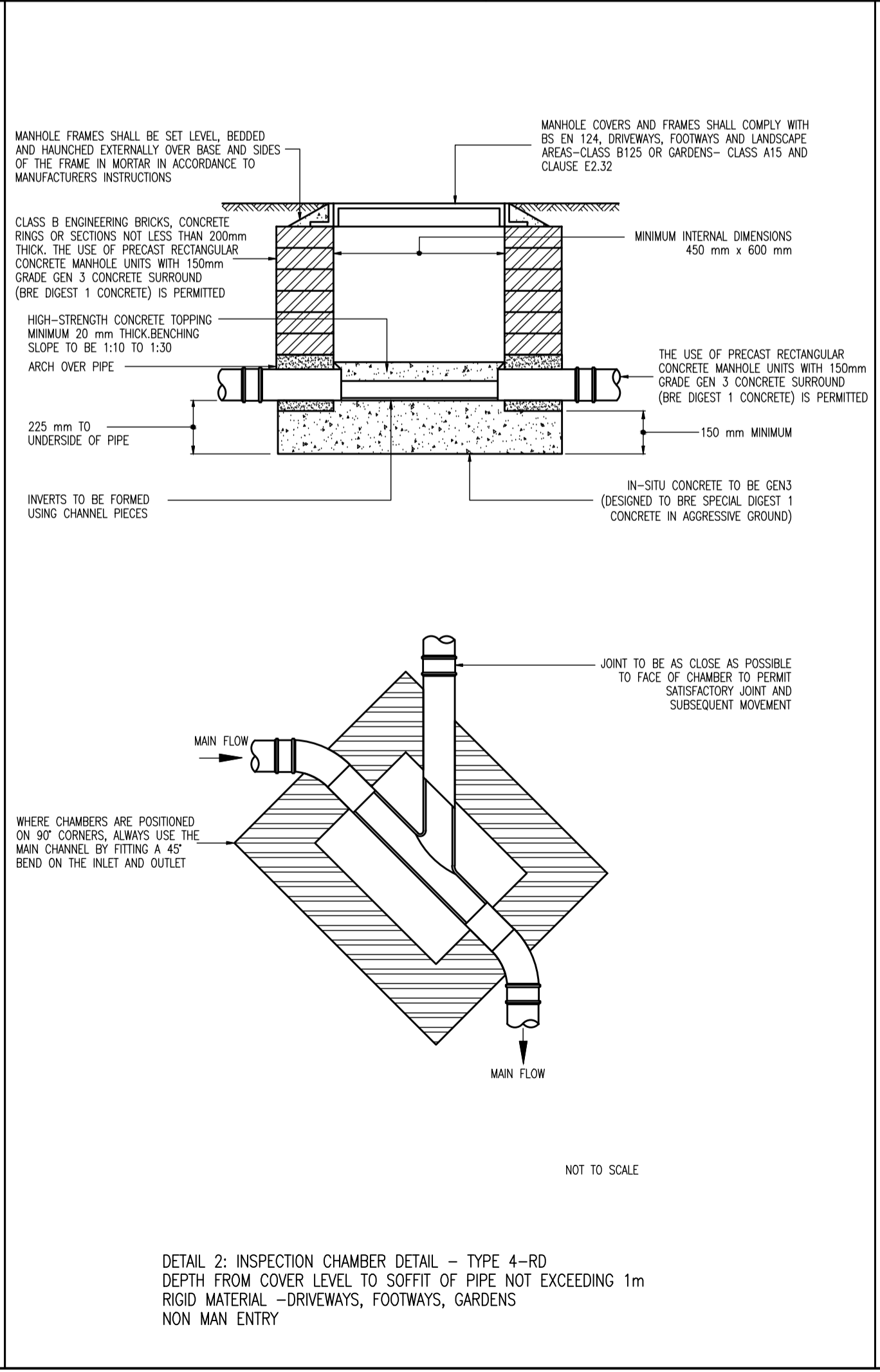
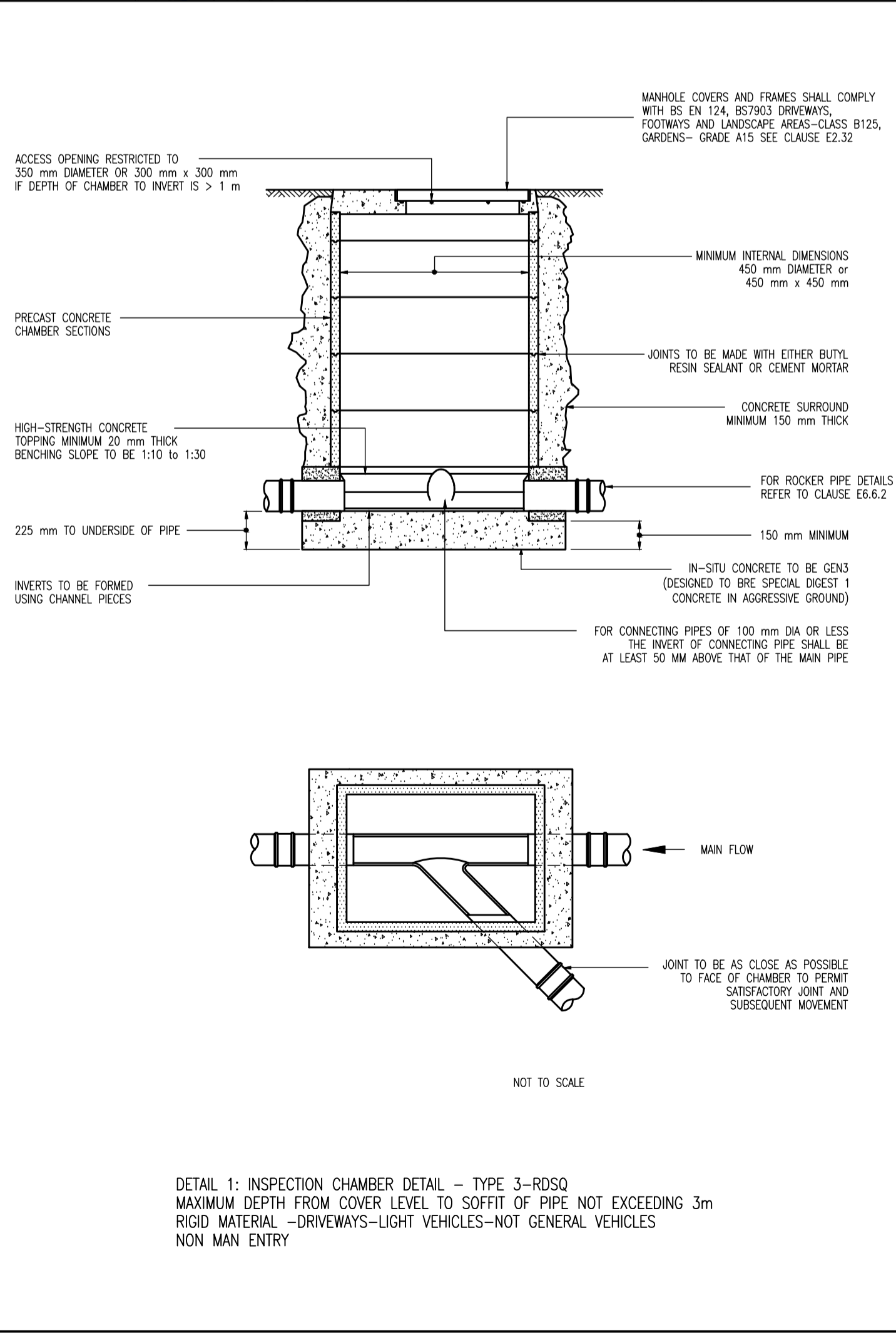


S:\50600412 - UPPER RISSINGTON - CONSORTIUM (E DRAWINGS DEVELOPMENT) \AUTOCAD\0412-D-109.DWG 05/12/2018 16:45:24 Blavignac, Julien



DO NOT SCALE

- NOTES**
- ALL DIMENSIONS ARE IN METRES UNLESS STATED OTHERWISE.
 - ALL LEVELS ARE IN METRES AND RELATED TO ORDNANCE SURVEY DATUM.
 - WHERE NEW MANHOLES INTERSECT AN EXISTING SEWER/DRAIN THE EXISTING SEWER IS TO BE LOCATED ON SITE AND THE INVERT LEVEL CHECKED AGAINST THE PROPOSED DRAINAGE DESIGN. ANY DISCREPANCIES SHOULD BE REPORTED TO THE ENGINEER IMMEDIATELY.
 - PROPOSED MANHOLES INTERSECTING AN EXISTING SEWER/DRAIN ARE SHOWN INDICATIVELY ON ASSUMED EXISTING SEWER/DRAIN ROUTES. INDICATIVE PRIVATE DRAINAGE ROUTES HAVE NOT BEEN SHOWN FOR CLARITY.
 - ALL DRAINAGE WORKS ARE TO BE CARRIED OUT IN ACCORDANCE WITH:
 - SEWERS FOR ADOPTION (SFA) 7TH EDITION AND CORRIGENDUM
 - CIVIL ENGINEERING SPECIFICATION FOR WATER INDUSTRY 7TH EDITION.
 - REFER TO THE FOLLOWING DRAWINGS FOR SPILLWAY DESIGN:
 - LEVELS & SECTIONS, DRG 0412/RP/202, 203 & 204.
 - DETAILS (AS REFERRED TO IN KEYS BELOW AND ON PLAN), DRG 0412/SD/200, 201, 202, 203 & 204.
 - SETTING OUT INFORMATION, DRG 0412/SO/201 & 0412/SD/204.
 - DRAINAGE DETAILS, DRG 0412/S104/114 & 0412/D/109.
 - EARTHWORK DETAILS, DRG 0412/EWK/105.



Manhole Number	Cover Level	Connections	Pipe			Manhole Size	Types	
			Code	Inverts	Diams Inv-soff		Manhole	Cover
F1_D	213.880	1	EXIST	212.670	150	600x600	3	D400 SEALED
E. 421008.926	1.060							
N. 219550.404		0	1.000	212.670	150			
F2_D	213.000	1	1.000	212.252	150	600x600	4	D400 SEALED
E. 420999.658	0.598							
N. 219541.206		0	1.001	212.252	150			
F3_D	212.581	1	1.001	211.131	150	600x600	3	D400 SEALED
E. 420997.924	0.300							
N. 219527.761		0	1.002	211.131	150			
F4_D	212.430	1	1.002	211.972	150	600x600	4	D400 SEALED
E. 420996.106	0.308							
N. 219513.441		0	1.003	211.972	150			
F5_D	213.000	1	1.003	211.894	150	600x600	4	D400 SEALED
E. 420998.145	0.956							
N. 219505.838		0	1.004	211.894	150			
F6_D	212.750	1	1.004	211.660	150	600x600	4	D400 SEALED
E. 421021.080	0.940							
N. 219507.117		0	EXIST	211.660	150			

MANHOLE SCHEDULE

REV	DATE	BY	DESCRIPTION	CHK	APP
D	06/18/18	JB	DESIGN UPDATED	JDP	JDP
C	28/03/16	JB	DESIGN UPDATED	JDP	JDP
B	28/04/17		DRAWING STATUS UPDATED, SPILLWAY NOTE ADDED		
A	16/09/16		FIRST ISSUE		

DRAWING STATUS: FOR TECHNICAL APPROVAL

Mountbatten House, Basing View, Basingstoke, RG21 4HJ, UK
T+ 44 (0) 1256 318 800, F+ 44 (0) 1256 318 700
wsp.com

CLIENT: LINDEN HOMES / BOVIS HOMES

ARCHITECT: IDP

PROJECT: UPPER RISSINGTON CONSORTIUM ONSITE WORKS

TITLE: FOUL SEWER DIVERSION & PIPE BRIDGE REMOVAL

SCALE B A1:	CHECKED:	APPROVED:
AS SPECIFIED	JB	JDP

CAD FILE:	DESIGN DRAWN:	DATE:
0412-D-109	MLE	September 2016

PROJECT NO:	DRAWING NO:	REV:
50600412	0412-D-109	D

© WSP Group Ltd