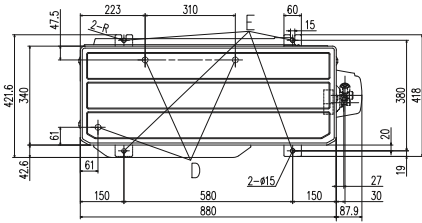


# OUTDOOR UNIT

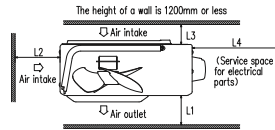
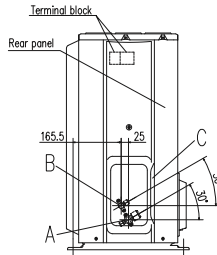
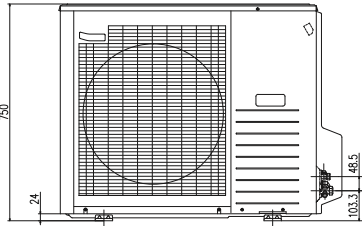
## SRC71ZR-S SRC80ZR-S



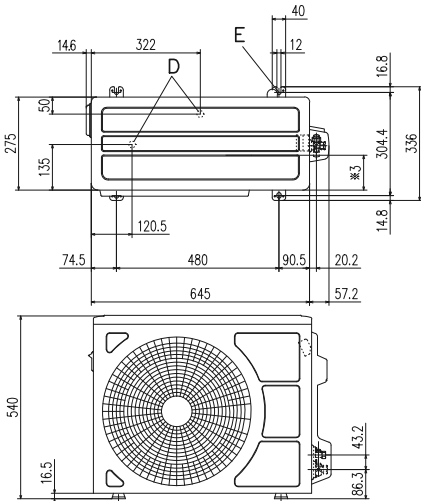
Symbol	Content	
A	Service valve connection (gas side)	Ø15.88 (5/8") (Flare)
B	Service valve connection (liquid side)	Ø6.35 (1/4") (Flare)
C	Pipe/cable draw-out hole	
D	Drain discharge hole	Ø20 x 3 places
E	Anchor bolt hole	M10 x 4 places

Minimum installation space

Examples of Installation Dimensions	Minimum installation space		
	I	II	III
L1	Open	Open	500
L2	300	250	Open
L3	100	150	100
L4	250	250	250

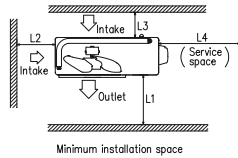
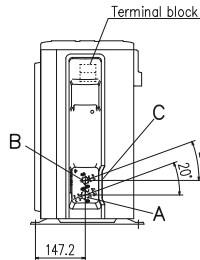


## SRC25ZSP-S SRC35ZSP-S

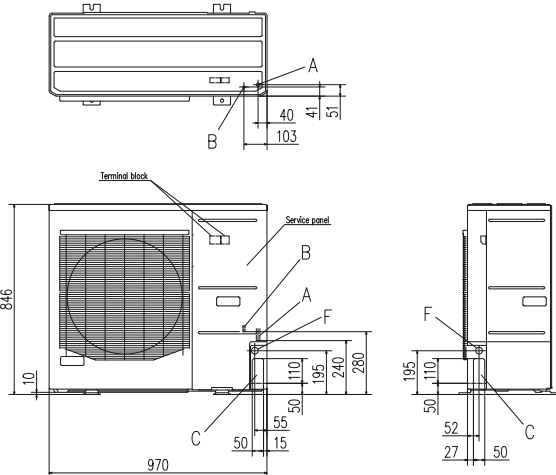


Symbol	Content	
A	Service valve connection (gas side)	Ø9.52 (3/8") (Flare)
B	Service valve connection (liquid side)	Ø6.35 (1/4") (Flare)
C	Pipe/cable draw-out hole	
D	Drain discharge hole	Ø20x2places
E	Anchor bolt hole	M10x4places

Examples of Installation Dimensions	Minimum installation space			
	I	II	III	IV
L1	Open	280	280	180
L2	100	100	Open	Open
L3	100	80	80	80
L4	250	Open	250	Open

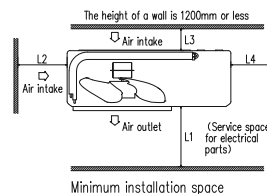
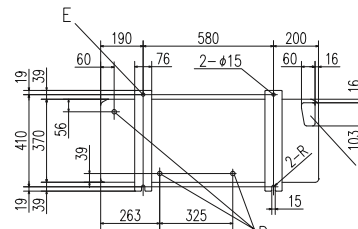


## FDC100VNP



Symbol	Content	
A	Service valve connection (gas side)	Ø15.88 (5/8") (Flare)
B	Service valve connection (liquid side)	Ø9.52 (3/8") (Flare)
C	Pipe/cable draw-out hole	
D	Drain discharge hole	Ø20x3 places
E	Anchor bolt hole	M10x4 places
F	Cable draw-out hole	Ø30x3 places

- Notes
- (1) It must not be surrounded by walls on the four sides.
  - (2) The unit must be fixed with anchor bolts. An anchor bolt must not protrude more than 15mm.
  - (3) Where the unit is subject to strong winds, lay it in such a direction that the blower outlet face is perpendicular to the dominant wind direction.
  - (4) Leave 1m or more space above the unit.
  - (5) A wall in front of the blower outlet must not exceed the units height.
  - (6) The model name label is attached on the service panel.



Examples of Installation Dimensions	Minimum installation space		
	I	II	III
L1	Open	Open	500
L2	300	250	Open
L3	100	150	100
L4	250	250	250